



Schwienbacher Abbruch Technik

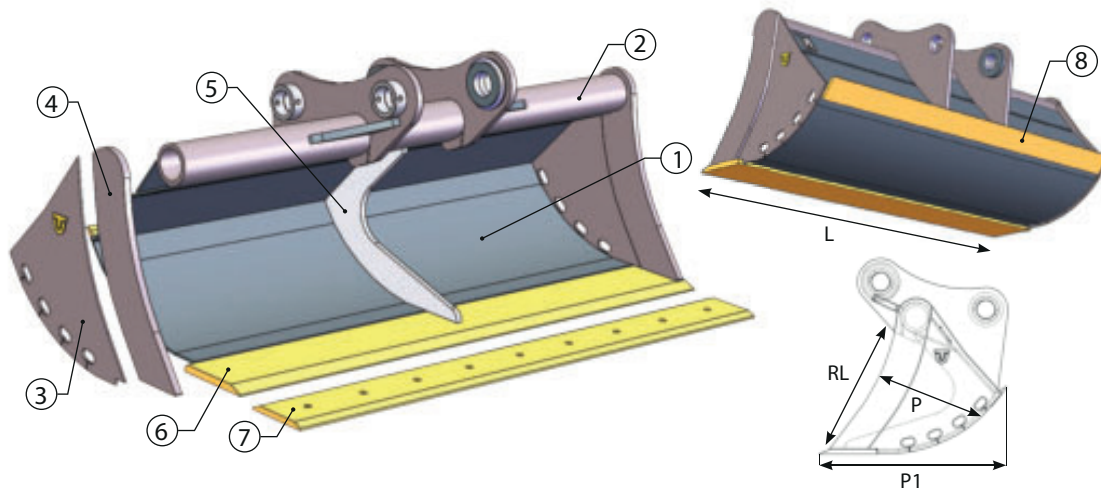
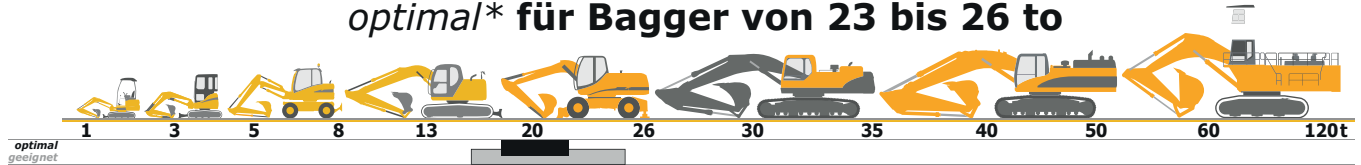
Werkstatt • Lager • Service seit 1977

D-82229 Seefeld (bei München)

Graf-Toerring-Seefeld-Strasse 9b / 17

Tel. 08152 / 998 969-0 Fax.- 9

T.66 GRABENRÄUMLÖFFEL (flaches Profil) optimal* für Bagger von 23 bis 26 to



Classe Class	Codice Code	L mm	Cap. SAE Lt	Peso Kg Weight	RL mm	P mm	P1 mm	Listino € Price List	Sottolama € Bolt on blade
T.66 23 - 26 ton	WPC066-180	1800	860	749	805	615	1020	4.032,00	506,00
	WPC066-190	1900	913	777				4.136,00	534,00
	WPC066-200	2000	966	805				4.240,00	562,00
	WPC066-210	2100	1020	833				4.344,00	592,00
	WPC066-220	2200	1073	890				4.448,00	618,00
	WPC066-230	2300	1127	918				4.552,00	646,00
	WPC066-240	2400	1180	946				4.656,00	674,00
	WPC066-250	2500	1234	975				4.760,00	704,00
		1	2	3	4	5	6	7 Optional	8
Materiale Material		S355	S355	S355	S355	S355	HB 400	HB 400	HB 400
Spessore Thickness		12 mm	152 x 16 mm	10 mm	25 mm	25 mm	270 x 32 mm	254 x 25 mm	110 x 16 mm

*optimal = Standard-Bagger. Andere Klassen/Größen bedingt geeignet. Bei Bedarf bitte anfragen!

Akermann H 10B; **Atlas** 1802; **Benati** 3.22/3.22B; **Benfra** 10C/9.10/9.24;
Case 1088/1188/CX 225/CX 255 SR/CX 230/CX 240/WX 240; **Caterpillar** 215D/219D/320B/C/M 325C/321C;
Daewoo Doosan S 240/S 250/S 255LCV; **FAI** 1600; **Fiat Hitachi** FH 220.3/FH 240.3/EX 235/EX 255;
Fiat Kobelco EX 255EL/LC/E 235E/E 235SR; **Fiat-Allis** FE 24; **Ford** 48; **Furukawa** 740LS/640E;
Halla HE 220LC; **Hitachi** ZX 240/ZX 250/ZX 250LC/ZX 250LCN; **Hydromac** H 135/H 145;
Hyundai 228LC/R 250LC-3/7; **JCB** JS 235/JS 240/JS 260; **Kobelco** SK 220/SK 235S R/SK 250LC;
Komatsu PC 220/PC 230N-7/PC 240-7; **Laltes** 420/500HD; **Liebherr** A 924B/A 924 LIT/R 912 LIT/R 914 LIT/R 914B LIT;
New Holland E 245/E 265EL/LC/E 235SRNLC/SRLC; **O&K** RH 6PMS/RH 6.20/RH 6.22/RH 8PMS/MH 8.6/RH 6.5;
PMI 1000/1200/8.25/9.25; **Poclair** 90/115; **Samsung** SE 240LC.3;
Terex TC 240 LC/TC 240NLC/TC 260LC/TC 260NLC; **Volvo** EC 230/EW 230/EC 240B.

Info: 05/2021