



Schwienbacher Abbruch Technik

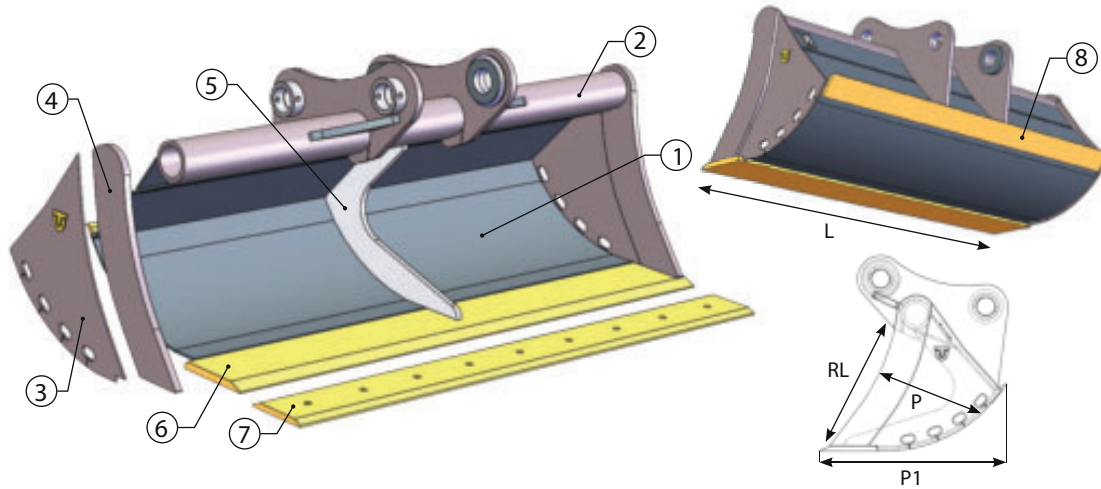
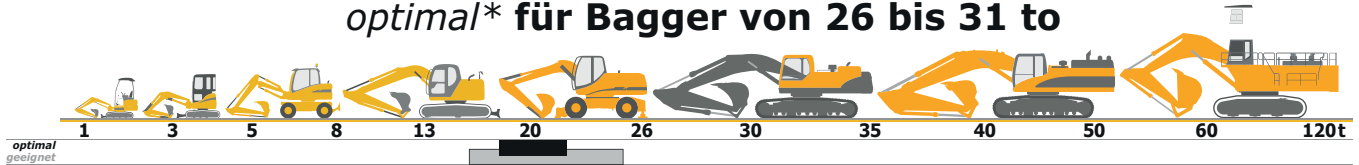
Werkstatt • Lager • Service seit 1977

D-82229 Seefeld (bei München)

Graf-Toerring-Seefeld-Strasse 9b / 17

Tel. 08152 / 998 969-0 Fax.- 9

T.68 GRABENRÄUMLÖFFEL (flaches Profil) optimal* für Bagger von 26 bis 31 to



Classe Class	Codice Code	L mm	Cap. SAE Lt	Peso Kg Weight	RL mm	P mm	P1 mm	Listino € Price List	Sottolama € Bolt on blade
T.68 26 - 31 ton	WPC068-180	1800	1058	1001	920	700	1150	5.130,00	506,00
	WPC068-190	1900	1125	1039				5.290,00	534,00
	WPC068-200	2000	1193	1077				5.444,00	562,00
	WPC068-210	2100	1260	1115				5.602,00	592,00
	WPC068-220	2200	1327	1188				5.756,00	618,00
	WPC068-230	2300	1394	1226				5.916,00	646,00
	WPC068-240	2400	1462	1264				6.072,00	674,00
	WPC068-250	2500	1529	1302				6.228,00	704,00
		1	2	3	4	5	6	7 Optional	8
Materiale	Material	S355	S355	S355	S355	S355	HB 400	HB 400	HB 400
Spessore	Thickness	15 mm	178 x 20 mm	10 mm	25 mm	25 mm	300 x 30 mm	254 x 25 mm	200 x 20 mm

*optimal = Standard-Bagger. Andere Klassen/Größen bedingt geeignet. Bei Bedarf bitte anfragen!

T.68 Akermann H 14B; **Atlas** 1804/1804M/180 4LC/1902; **Benati** 230CSB/270CSB/370/3.28/3.30; **Benfra** 12C/9.11/9.12; **Case** 1288CK/CX 290; **Caterpillar** 225D/229D/231/322B/322C/323/325B/C/D; **Cosmoter** BAT 25C; **Daewoo Doosan** DH 280/280 LCIII/V/290LCV/S 300LCV; **Fiat Hitachi** FH 270.3/ EX 285; **Fiat Kobelco** EX 285LC; **Fiat-Allis** FE 28; **Ford** 50; **Furukawa** 645LS; **Hitachi** ZX 28 0LC/ZX 280LCN; **Hydromac** H 150/H 180; **Hyundai** 280LC/290 LC-3/7; **JCB** JS 3 00/JS 330; **Kobelco** SK 300/909; **Komatsu** PC 270/PC 280/PC 290-7/PC 300; **Laltesi** 541; **Liebherr** A 932 LIT/A 934 LIT/R 924B LIT/R 924 LIT; **MF** 550; **New Holland** E 305EL/LC; **O&K** RH 9E/F/G/PMS/RH 9.5/RH 8.5; **PMI** 1300/1500/8.30/8.34/9.26/9.30/9.35; **Poclair** 125; **ROCK** 150; **Samsung** SE 280 LC.2; **Volvo** EC 280/EC 290B.