



Schwiebacher Abbruch Technik

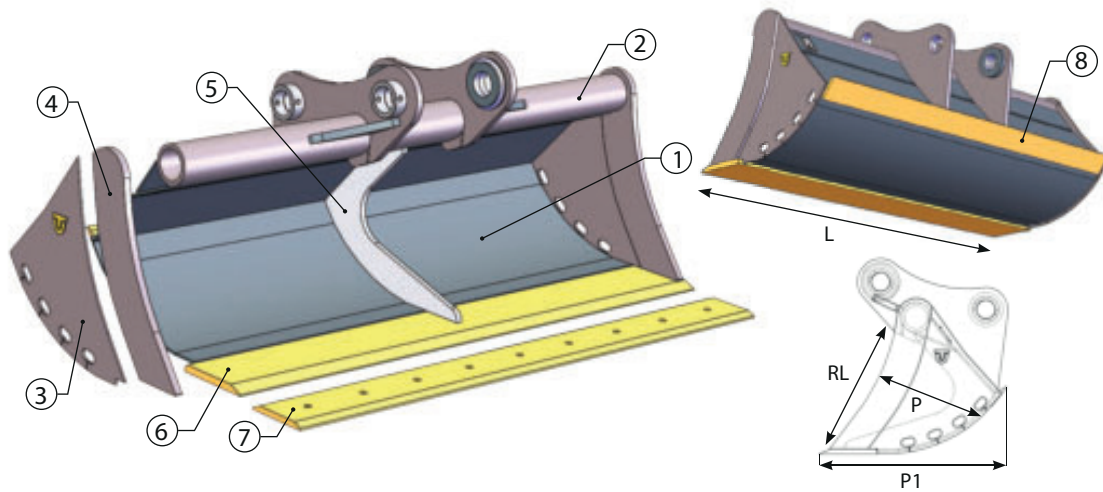
Werkstatt • Lager • Service seit 1977

D-82229 Seefeld (bei München)

Graf-Toerring-Seefeld-Strasse 9b / 17

Tel. 08152 / 998 969-0 Fax.- 9

T.50 GRABENRÄUM-LÖFFEL (flaches Profil) optimal* für Bagger von 9,6 bis 12,5 to



Classe Class	Codice Code	L mm	Cap. SAE Lt	Peso Kg Weight	RL mm	P mm	P1 mm	Listino € Price List	Sottolama € Bolt on blade
T.50 9,6 - 12,5 ton	WPC050-140	1400	315	283	570	435	740	2.208,00	256,00
	WPC050-150	1500	340	298				2.238,00	276,00
	WPC050-160	1600	365	313				2.270,00	294,00
	WPC050-170	1700	391	328				2.300,00	312,00
	WPC050-180	1800	416	343				2.330,00	328,00
	WPC050-190	1900	441	358				2.360,00	346,00
	WPC050-200	2000	466	373				2.392,00	368,00
		1	2	3	4	5	6	7 Optional	8
Materiale	Material	S355	S355	S355	S355	S355	HB 400	HB 400	HB 400
Spessore	Thickness	8 mm	127 x 14 mm	6 mm	20 mm	15 mm	200 x 20 mm	203 x 19 mm	110 x 16 mm

*optimal = für Bagger von 9,6 bis 12,5 t mit Standard-Ausrüstung.

T.50 Akermann H 3B; Atlas 1104/1204; Benati 3.12R; Benfra 3R/3C; BobCAT 444; Case WX 120; Cosmoter BAT 10; Euromach 9000/9500; Fiat Hitachi FH 115W/FH 120W/EX 100/FH 115; Fiat Kobelco E 115SR/EX 125W; Hitachi ZX 110; Hyundai R110LC7; JCB JS 110; Kobelco SK 100/SK 115SR; Komatsu PC 110R/PC 110R1/PW 110R/PC 120; Lalties 40/111; Liebherr A 309/A 310/A 311; Macmoter M 12M/BW 110; Mecalac 14M X/14MBX; MF 250; Neuson 1002RD/12002RD; New Holland MH 2.6/MH 3.6/E 115SR; O&K MH 2.10/MH 3.5; PMI 450/810R/913; Terex HR 42.

geeignet = für Bagger von 6,0 bis 16 t je nach Ausrüstung. Andere Klassen/Größen bedingt geeignet. Bei Bedarf bitte anfragen!



Schwienbacher Abbruch Technik

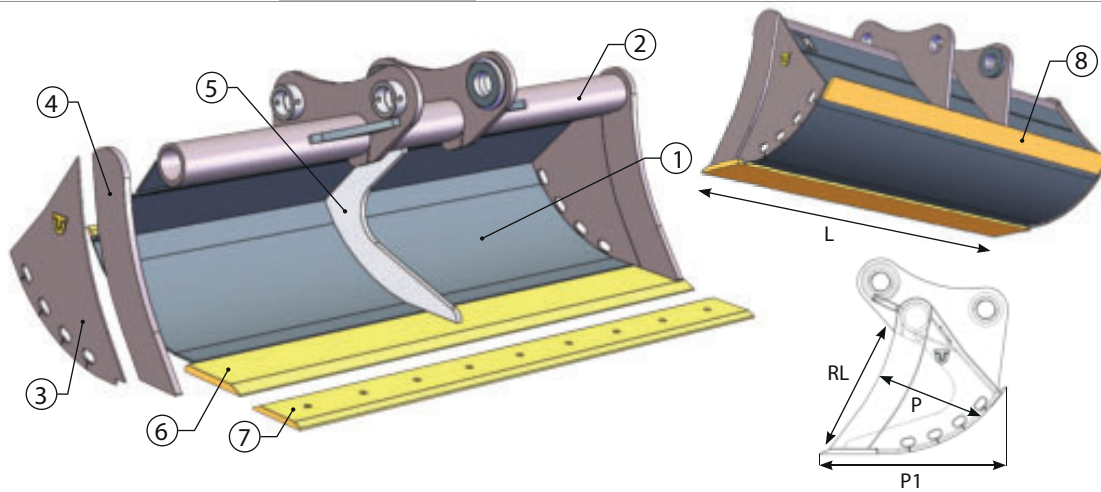
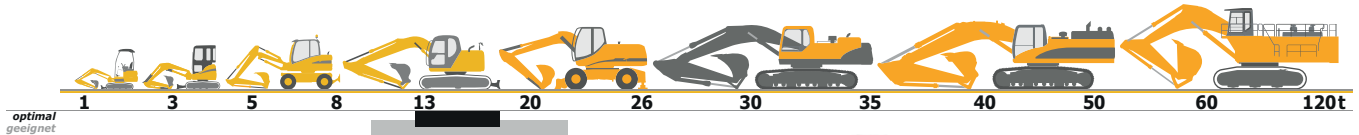
Werkstatt • Lager • Service seit 1977

D-82229 Seefeld (bei München)

Graf-Toerring-Seefeld-Strasse 9b / 17

Tel. 08152 / 998 969-0 Fax.- 9

T.55 GRABENRÄUMLÖFFEL (flaches Profil) optimal* für Bagger von 12,6 bis 16 to



Classe Class	Codice Code	L mm	Cap. SAE Lt	Peso Kg Weight	RL mm	P mm	P1 mm	Listino € Price List	Sottolama € Bolt on blade
T.55 12,6 - 16 ton	WPC055-160	1600	446	364	605	490	810	2.346,00	294,00
	WPC055-170	1700	476	381				2.418,00	312,00
	WPC055-180	1800	507	398				2.486,00	328,00
	WPC055-190	1900	538	415				2.558,00	346,00
	WPC055-200	2000	569	432				2.628,00	368,00
	WPC055-210	2100	600	449				2.698,00	386,00
	WPC055-220	2200	630	475				2.768,00	402,00
		1	2	3	4	5	6	7 Optional	8
Materiale	Material	S355	S355	S355	S355	S355	HB 400	HB 400	HB 400
Spessore	Thickness	8 mm	127 x 14 mm	6 mm	20 mm	15 mm	200 x 25 mm	203 x 19 mm	110 x 16 mm

*optimal = Standard-Bagger. Andere Klassen/Größen bedingt geeignet. Bei Bedarf bitte anfragen!

T.55 Akermann H 5; **Atlas** 1302/1304M/1304LC/1404M/14 04LC; **Benati** 90/120/140/145/3.15/3.16/3.17; **Benfra** 4R/4C/5/9.05/9.06; **Case** 588/9013/CX 130/CS 135SR/WX 125/WX 145; **Caterpillar** EB 120/205/206/M 312/M 313C/M 315/311C/312C/314C; **Cosmoter** BAT 12/14; **Daewoo Doosan** DH 130.2/S 110/S 130W-III/S 1 30LCV/S 140WV/S 160W V/S 140LCV/S 150LCV; **Fai** 1000 C/CH/GTH; **Fiat Hitachi** FH 120/FH 125W/FH 130.3/EX 135; **Fiat Kobelco** E 13 5/E 135SR/E 145W; **Fiat-Allis** E 12/FE 14/FE 16; **Ford** 42; **Furukawa** W 625E/W 630/W 635/W 725LS/W 730LS; **Halla** HE130W/H E 130LC; **Hitachi** ZX 130/ZX 135US/ZX 130W; **Hydromac** H 75; **Hyundai** 120W/R 130W-3/140W-7/R 130LC-3/R 140LC-7; **JCB** JS 130/JS 130W/JS 140/JS 145W; **Kobelco** SK 120/SK 135SR/LC/90 3B; **Komatsu** PC 130/PW 130-7/PC 138US-2/PC 150.3; **Lalesi** 50/221/222; **Liebherr** R 310B/R 312/A 312 LIT/A 314/A 316/A 900; **Mecalac** 714MC/714MW; **MF** 330; **New Holland** E 145/E 135SR/LC/SRL/MH CITY/MH 4.6; **O&K** RH 4/RH 4PLUS/RH 4PMS/RH CITY/MH 4/MH CITY/MHS/ MH PLUS/RH 4.5/RH PLUS; **PMI** 700/8.15/8.17; **Poclain** TCS 45/60; **ROCK** 75; **Samsung** SE 130LC.2/SE 130W.3; **Takeuch** TB 1140; **Volvo** EC 130/EW 130/EC 140B/EW 140B/EC 150/EW 160 B.



Schwienbacher Abbruch Technik

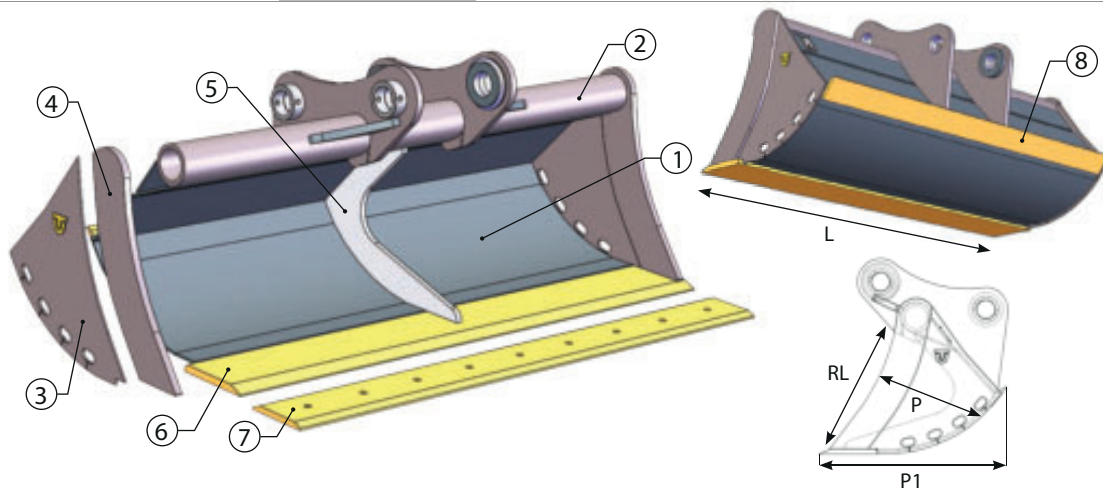
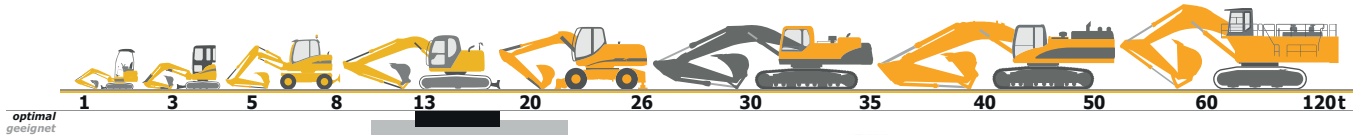
Werkstatt • Lager • Service seit 1977

D-82229 Seefeld (bei München)

Graf-Toerring-Seefeld-Strasse 9b / 17

Tel. 08152 / 998 969-0 Fax.- 9

T.60 GRABENRÄUMLÖFFEL (flaches Profil) optimal* für Bagger von 16 bis 19 to



Classe Class	Codice Code	L mm	Cap. SAE Lt	Peso Kg Weight	RL mm	P mm	P1 mm	Listino € Price List	Sottolama € Bolt on blade
T.60 16 - 19 ton	WPC060-160	1600	557	441	680	545	900	2.578,00	294,00
	WPC060-170	1700	596	459				2.632,00	312,00
	WPC060-180	1800	635	477				2.686,00	328,00
	WPC060-190	1900	674	495				2.740,00	346,00
	WPC060-200	2000	713	513				2.794,00	368,00
	WPC060-210	2100	752	531				2.848,00	386,00
	WPC060-220	2200	791	564				2.902,00	402,00
		1	2	3	4	5	6	7 Optional	8
Materiale	Material	S355	S355	S355	S355	S355	HB 400	HB 400	HB 400
Spessore	Thickness	8 mm	127 x 14 mm	8 mm	20 mm	20 mm	200 x 25 mm	203 x 19 mm	110 x 16 mm

*optimal = Standard-Bagger. Andere Klassen/Größen bedingt geeignet. Bei Bedarf bitte anfragen!

T.60 Akermann H 7B/H 7C; **Atlas** 1604M/1604LC/1622; **Benati** 160/3.18; **Benfra** 6C/7R/7.07/7.08/9.07/9.08/9.20; **Case** 688/688B/788/CX 160/WX 150/WX 165/WX 170/CX 180; **Caterpillar** 211/212/213B/214/214B/315/317/318/M 316C/M 318C/315C; **Cosmoter** BAT 16; **Daewoo Doosan** DH 170/DH 180/S 170III/V/S 175LCV/S 180WV; **FAI** 1100; **Fiat Hitachi** FH 150.3/EX 165/FH 150 W.2/FH 150W.3; **Fiat Kobelco** E 165 LC/E 175W; **Fiat-Allis** FE 18; Ford 44/45; **Furukawa** 635E; **Hitachi** ZX 160LC/ZX 180LC/ZX 160W/ZX180W; **Hydromac** H 85; **Hyundai** R 160LC-3/7/R 170W-3/R 180LC-3/7; **JCB** JS 150/JS 160LC/JS 160W/JS 175W/JS 180LC; **Kobelco** SK 150/SK 160LC/904/905B/SK 170LC; **Komatsu** PC 160-7/PW 160-7/PW 170/PC 180-7/PW 1 80-7; **Laltesi** 80/341/341HD; **Liebherr** A 9 00C/A 900B LIT/A 902 LIT/A 314 LIT/A 316 LIT/R 317; **MF** 350D/350E; **New Holland** E 175/MH PL US/MH PLUS C/MH 5.6; **O&K** RH 5/RH 5PLUS/RH 5 PMS/MH 5/MH 5PMS/RH 5.5; **PMI** 900/8.18; **Poclair** 61/75/688; ROCK 100; **Samsung** SE 170W.3; **Volvo** EC 160B/EC 170/EW 170/EC 180B/EW 180B.

Info: 05/2021



Schwie nbacher **Abbruch** Technik

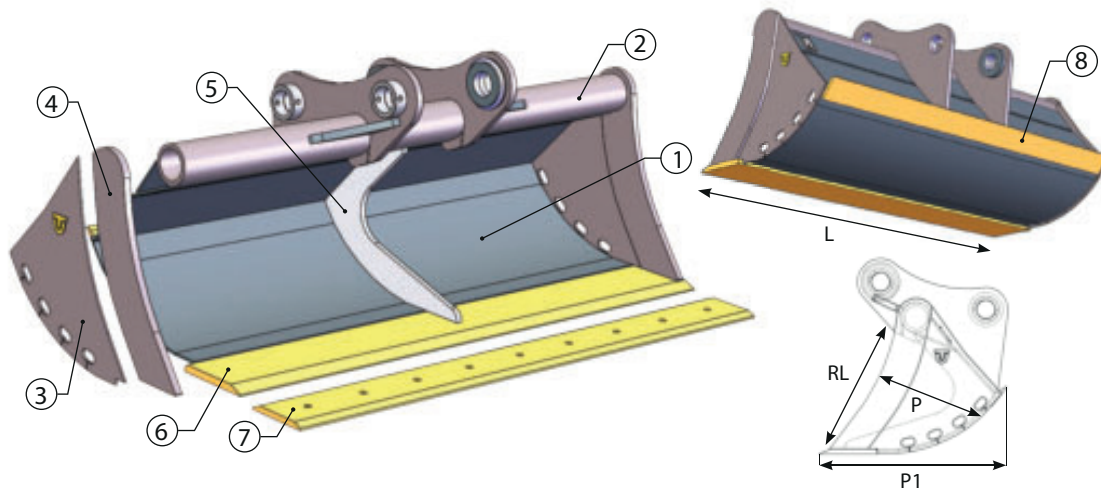
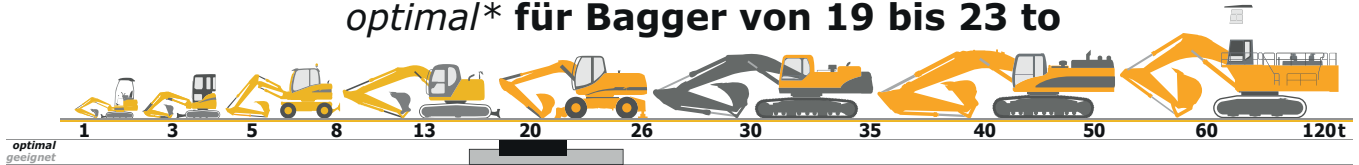
Werkstatt • Lager • Service ^{seit 1977}

D-82229 Seefeld (bei München)

Graf-Toerring-Seefeld-Strasse 9b / 17

Tel. 08152 / 998 969-0 Fax.- 9

T.65 GRABENRÄUMLÖFFEL (flaches Profil) optimal* für Bagger von 19 bis 23 to



Classe Class	Codice Code	L mm	Cap. SAE Lt	Peso Kg Weight	RL mm	P mm	P1 mm	Listino € Price List	Sottolama € Bolt on blade
T.65 19 - 23 ton	WPC065-160	1600	652	469	740	580	960	3.052,00	294,00
	WPC065-170	1700	698	490				3.142,00	312,00
	WPC065-180	1800	744	511				3.230,00	328,00
	WPC065-190	1900	791	532				3.320,00	346,00
	WPC065-200	2000	837	553				3.406,00	368,00
	WPC065-210	2100	883	574				3.496,00	386,00
	WPC065-220	2200	929	613				3.582,00	402,00
		1	2	3	4	5	6	7 Optional	8
Materiale Material		S355	S355	S355	S355	S355	HB 400	HB 400	HB 400
Spessore Thickness		10 mm	127 x 14 mm	8 mm	20 mm	20 mm	200 x 25 mm	203 x 19 mm	110 x 16 mm

*optimal = Standard-Bagger. Andere Klassen/Größen bedingt geeignet. Bei Bedarf bitte anfragen!

Atlas 1702D/1704D/1704LC; **Benati** 190CSB/3.20/3.21; **Benfra** 8C/9.09; **Case** 888/888B/988/9021/CX 210/WX 185/WX 200/WX 210; **Caterpillar** 215C/219C/318B/319C/M 320/M 322C; **Cosmoter** BAT 18C; **Daewoo Doosan** S 200WIII/V/S 210WV/DH 220LC/S2 20LCVIII/V/S 225LCV; **FAI** 1200/1300CH/GTH/1400/1500; **Fiat Hitachi** FH 200W.3/EX 200/EX 215; **Fiat Kobelco** E 200SR/E 215 E; **Fiat-Allis** FE 20; **Ford** 47; **Furukawa** 640E/W 735LS/W 738LS; **Hitachi** ZX 210/ZX 210LC/ZX 21 0N/ZX 210W/ZX 225USR/ZX 225USRLC/ZX 225US/ZX 225USLC; **Hydromac** H 95/H 105/H 115; **Hyundai** R 200W/R 200LC/R 210LC-3/7; **JCB** JS 200W/JS 200 LC/JS 210/JS 220; **Kobelco** SK 200/SK 210LC/907/SK 200SR; **Komatsu** PC 200/PC 210/PC 228US-3/P W 200-7/PW 210/PW 220-7; **Laltesi** 441HD; **Liebherr** A 904C/A 904 LIT/A 912 LIT/A 914B/A 914 LIT/R 900B/C LIT/R 904 L IT; **MF** 450D/450E; **New Holland** E 215/E/LC/E 195EL/LC/E 200SR/SRLC/MH 6.6/MH 8.6; **O&K** RH 6B/C/D/E/F/MH 6B/C/D/E/F/RH 6 COMPAC; **PMI** 822/9.21/9.22; **Poclair** 81/888; **ROCK** 130/135; **Samsung** SE 210LC.3/SE 210W.2; **Terex** TC 210 LC/TC 210NLC/TC 225LC/TC 225NLC; **Volvo** EC 200/EW 200/EC 210B.



Schwienbacher Abbruch Technik

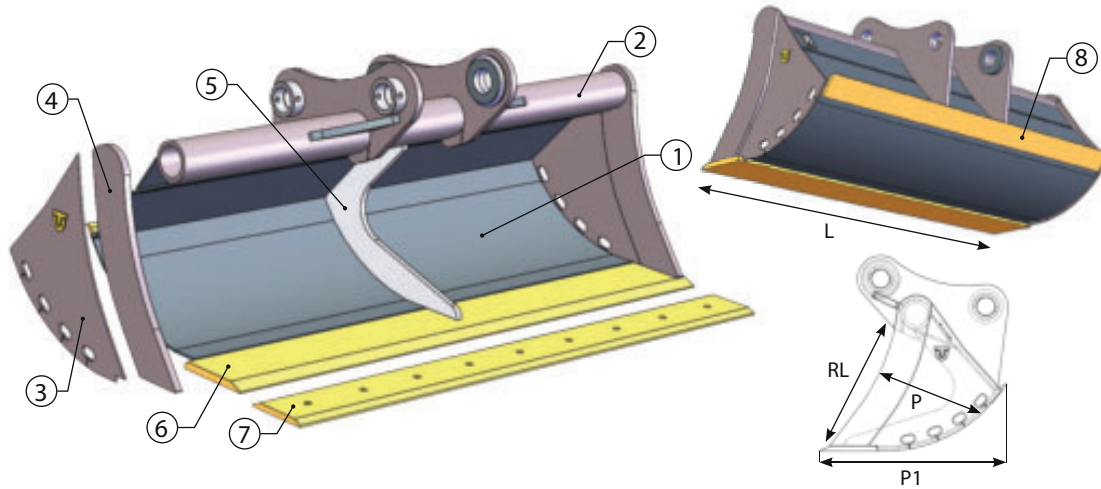
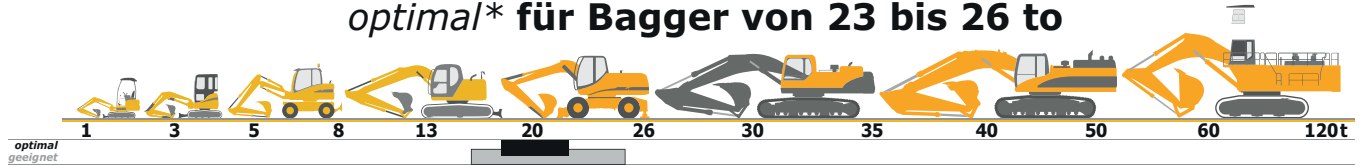
Werkstatt • Lager • Service seit 1977

D-82229 Seefeld (bei München)

Graf-Toerring-Seefeld-Strasse 9b / 17

Tel. 08152 / 998 969-0 Fax.- 9

T.66 GRABENRÄUMLÖFFEL (flaches Profil) optimal* für Bagger von 23 bis 26 to



Classe Class	Codice Code	L mm	Cap. SAE Lt	Peso Kg Weight	RL mm	P mm	P1 mm	Listino € Price List	Sottolama € Bolt on blade
T.66 23 - 26 ton	WPC066-180	1800	860	749	805	615	1020	4.032,00	506,00
	WPC066-190	1900	913	777				4.136,00	534,00
	WPC066-200	2000	966	805				4.240,00	562,00
	WPC066-210	2100	1020	833				4.344,00	592,00
	WPC066-220	2200	1073	890				4.448,00	618,00
	WPC066-230	2300	1127	918				4.552,00	646,00
	WPC066-240	2400	1180	946				4.656,00	674,00
	WPC066-250	2500	1234	975				4.760,00	704,00
		1	2	3	4	5	6	7 Optional	8
Materiale Material		S355	S355	S355	S355	S355	HB 400	HB 400	HB 400
Spessore Thickness		12 mm	152 x 16 mm	10 mm	25 mm	25 mm	270 x 32 mm	254 x 25 mm	110 x 16 mm

*optimal = Standard-Bagger. Andere Klassen/Größen bedingt geeignet. Bei Bedarf bitte anfragen!

Akermann H 10B; **Atlas** 1802; **Benati** 3.22/3.22B; **Benfra** 10C/9.10/9.24;
Case 1088/1188/CX 225/CX 255 SR/CX 230/CX 240/WX 240; **Caterpillar** 215D/219D/320B/C/M 325C/321C;
Daewoo Doosan S 240/S 250/S 255LCV; **FAI** 1600; **Fiat Hitachi** FH 220.3/FH 240.3/EX 235/EX 255;
Fiat Kobelco EX 255EL/LC/E 235E/E 235SR; **Fiat-Allis** FE 24; **Ford** 48; **Furukawa** 740LS/640E;
Halla HE 220LC; **Hitachi** ZX 240/ZX 250/ZX 250LC/ZX 250LCN; **Hydromac** H 135/H 145;
Hyundai 228LC/R 250LC-3/7; **JCB** JS 235/JS 240/JS 260; **Kobelco** SK 220/SK 235S R/SK 250LC;
Komatsu PC 220/PC 230N-7/PC 240-7; **Laltes** 420/500HD; **Liebherr** A 924B/A 924 LIT/R 912 LIT/R 914 LIT/R 914B LIT;
New Holland E 245/E 265EL/LC/E 235SRNLC/SRLC; **O&K** RH 6PMS/RH 6.20/RH 6.22/RH 8PMS/MH 8.6/RH 6.5;
PMI 1000/1200/8.25/9.25; **Poclair** 90/115; **Samsung** SE 240LC.3;
Terex TC 240 LC/TC 240NLC/TC 260LC/TC 260NLC; **Volvo** EC 230/EW 230/EC 240B.

Info: 05/2021



Schwienbacher Abbruch Technik

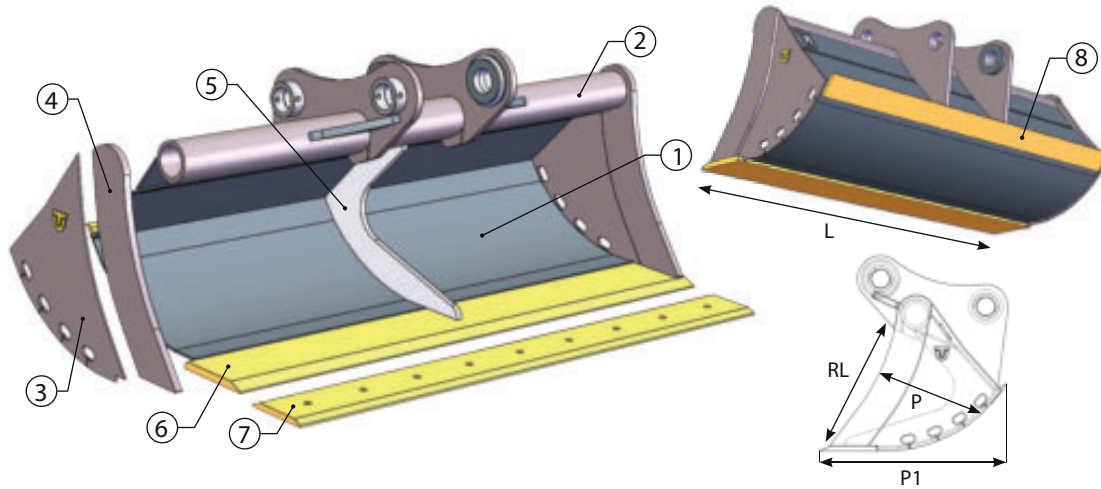
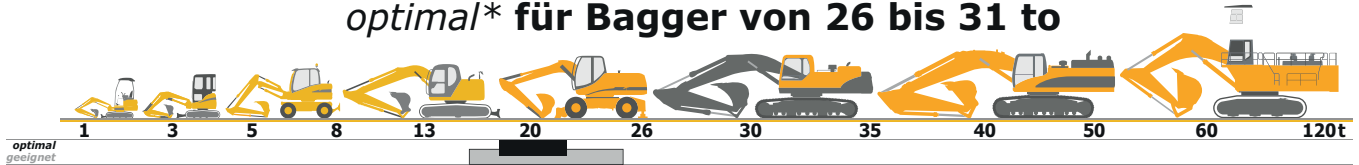
Werkstatt • Lager • Service ^{seit 1977}

D-82229 Seefeld (bei München)

Graf-Toerring-Seefeld-Strasse 9b / 17

Tel. 08152 / 998 969-0 Fax.- 9

T.68 GRABENRÄUMLÖFFEL (flaches Profil) optimal* für Bagger von 26 bis 31 to



Classe Class	Codice Code	L mm	Cap. SAE Lt	Peso Kg Weight	RL mm	P mm	P1 mm	Listino € Price List	Sottolama € Bolt on blade
T.68 26 - 31 ton	WPC068-180	1800	1058	1001	920	700	1150	5.130,00	506,00
	WPC068-190	1900	1125	1039				5.290,00	534,00
	WPC068-200	2000	1193	1077				5.444,00	562,00
	WPC068-210	2100	1260	1115				5.602,00	592,00
	WPC068-220	2200	1327	1188				5.756,00	618,00
	WPC068-230	2300	1394	1226				5.916,00	646,00
	WPC068-240	2400	1462	1264				6.072,00	674,00
	WPC068-250	2500	1529	1302				6.228,00	704,00
		1	2	3	4	5	6	7 Optional	8
Materiale	Material	S355	S355	S355	S355	S355	HB 400	HB 400	HB 400
Spessore	Thickness	15 mm	178 x 20 mm	10 mm	25 mm	25 mm	300 x 30 mm	254 x 25 mm	200 x 20 mm

*optimal = Standard-Bagger. Andere Klassen/Größen bedingt geeignet. Bei Bedarf bitte anfragen!

T.68 Akermann H 14B; **Atlas** 1804/1804M/180 4LC/1902; **Benati** 230CSB/270CSB/370/3.28/3.30; **Benfra** 12C/9.11/9.12; **Case** 1288CK/CX 290; **Caterpillar** 225D/229D/231/322B/322C/323/325B/C/D; **Cosmoter** BAT 25C; **Daewoo Doosan** DH 280/280 LCIII/V/290LCV/S 300LCV; **Fiat Hitachi** FH 270.3/ EX 285; **Fiat Kobelco** EX 285LC; **Fiat-Allis** FE 28; **Ford** 50; **Furukawa** 645LS; **Hitachi** ZX 28 0LC/ZX 280LCN; **Hydromac** H 150/H 180; **Hyundai** 280LC/290 LC-3/7; **JCB** JS 3 00/JS 330; **Kobelco** SK 300/909; **Komatsu** PC 270/PC 280/PC 290-7/PC 300; **Laltesi** 541; **Liebherr** A 932 LIT/A 934 LIT/R 924B LIT/R 924 LIT; **MF** 550; **New Holland** E 305EL/LC; **O&K** RH 9E/F/G/PMS/RH 9.5/RH 8.5; **PMI** 1300/1500/8.30/8.34/9.26/9.30/9.35; **Poclair** 125; **ROCK** 150; **Samsung** SE 280 LC.2; **Volvo** EC 280/EC 290B.



Schwiebacher Abbruch Technik

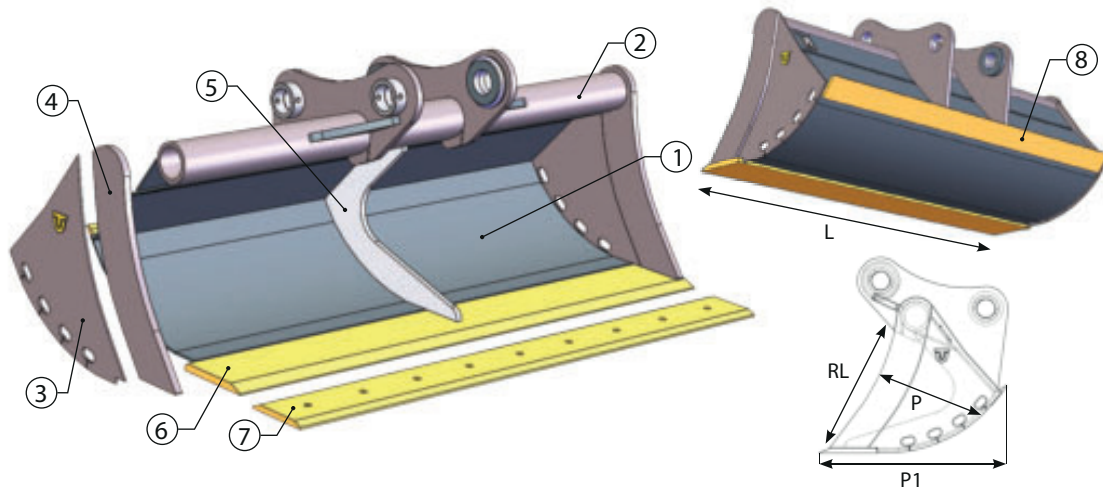
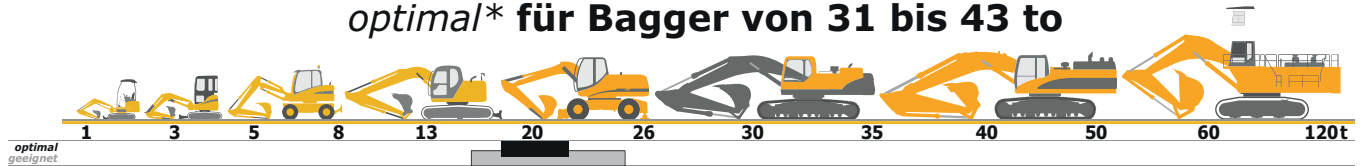
Werkstatt • Lager • Service seit 1977

D-82229 Seefeld (bei München)

Graf-Toerring-Seefeld-Strasse 9b / 17

Tel. 08152 / 998 969-0 Fax.- 9

T.69/T.70 GRABENRÄUMLÖFFEL (flaches Profil) optimal* für Bagger von 31 bis 43 to



Classe Class	Codice Code	L mm	Cap. SAE Lt	Peso Kg Weight	RL mm	P mm	P1 mm	Listino € Price List	Sottolama € Bolt on blade
T.69 - T.70 31 - 43 ton	WPC070-200	2000	1382	1113	985	740	1215	5.704,00	562,00
	WPC070-210	2100	1461	1153				5.842,00	592,00
	WPC070-220	2200	1540	1228				5.980,00	618,00
	WPC070-230	2300	1618	1268				6.120,00	646,00
	WPC070-240	2400	1697	1308				6.256,00	674,00
	WPC070-250	2500	1776	1348				6.394,00	704,00
	WPC070-260	2600	1854	1388				6.534,00	730,00
		1	2	3	4	5	6	7 Optional	8
Materiale	Material	S355	S355	S355	S355	S355	HB 400	HB 400	HB 400
Spessore	Thickness	15 mm	178 x 20 mm	10 mm	30 mm	25 mm	300 x 30 mm	254 x 25 mm	200 x 20 mm

T.69 **ATLAS** 2004, 340 LC * **CASE** 1488, 9033, CX 330, CX 350, CX 350D, CX 370D * **CATERPILLAR** 330 LINK D/E, 330D, 330F, 336D, 335 FLCR * **JON DEERE** 350G, 350 GLC * **DOOSAN** DH 320, S 330III/V, S 360LCIII, S 340LCV, DX 340, DX 340LC-5 * **FIAT HITACHI** FH 300.2, FH 330.3, EX 355 * **FIAT KOBELCO** EX 355EL/LC/BEN * **HIDROMEK** HMK 370, HMK 300 LCLR * **HITACHI** ZX 330LC-5G, ZX 350LC-6, ZX 350LCN-6, ZX 350LCH-5G * **HYUNDAI** H 230, H 270, R 320LC-3/7, R 360LC-3/7, R 380/9, HX 330L * **JCB** JZ 360, JS 330 * **KOBELCO** SK 330LC, 912, SK 330LC-10 * **KOMATSU** PC 340-7, PC 350-8, PC 360, PC 380, PC 360LC/NLC-10, PC 360LC/NLC-11, PC 365LC/NLC-3 * **LIEBHERR** R 934B LIT, R 942 LIT, R 944B LIT, R 936 LIT, R924 CPT TUN LIT, R 934C LFR, R 934C DLN, R938 * **NEW HOLLAND** E 335 LC/NLC, E 385, E 385 EL/LC/BEH * **SANY** SY 365H, SY 375H * **VOLVO** EC 330B, EC 340, EC 360B/C, EC 380D *

T.70 **CATERPILLAR** 336 FLN, 336 FXE, 340F, 340F UHD * **JON DEERE** 380 GLC * **DOOSAN** S 400LCIII/V, S 420LCV, DX 420, DX 380LC-5, DX 420LC-5 * **FIAT HITACHI** FH 400 * **HIDROMEK** HMK 370LC HD, HMK 370 LCLR * **HITACHI** ZX 380LC-6, ZX 400, ZX 400LCH-3F, ZX 400LCH-5G * **HYUNDAI** R 420LC, HX 380L * **KOBELCO** SK 400 * **KOMATSU** PC 400 * **LIEBHERR** R 946, R944C SME, R 950 SME, R945 * **SANY** SY 415H * **VOLVO** EC 380E *

Info: 05/2021